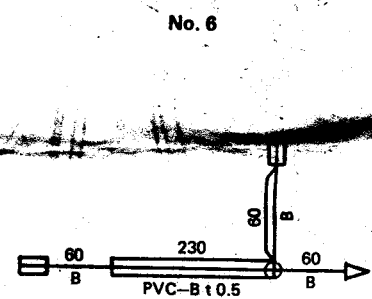
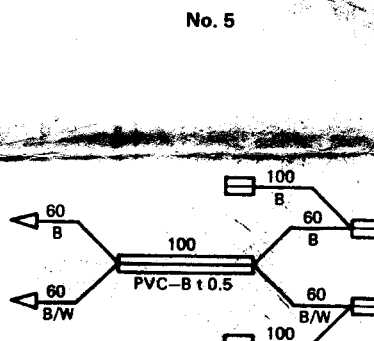
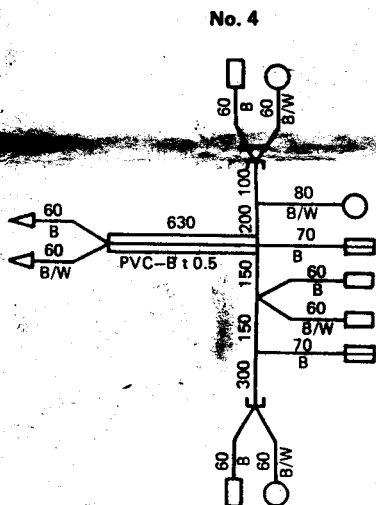
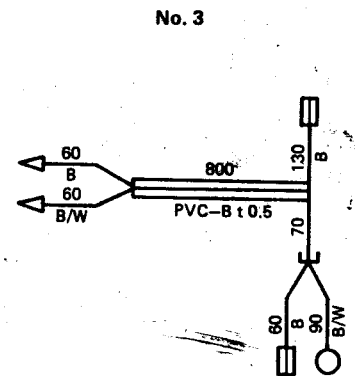
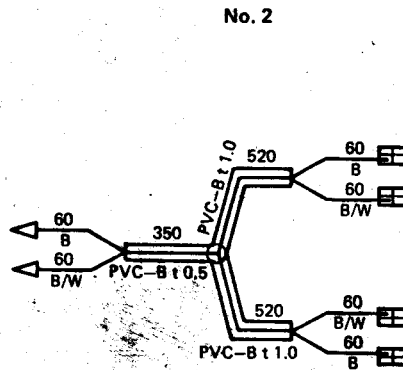
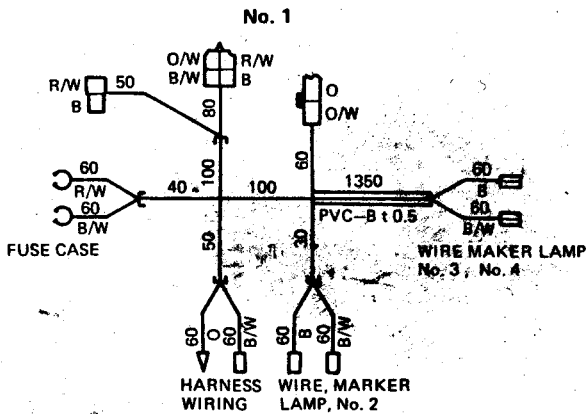


INSTALLATION INSTRUCTIONS

Marker Lamp Switch & Wiring Harness Set

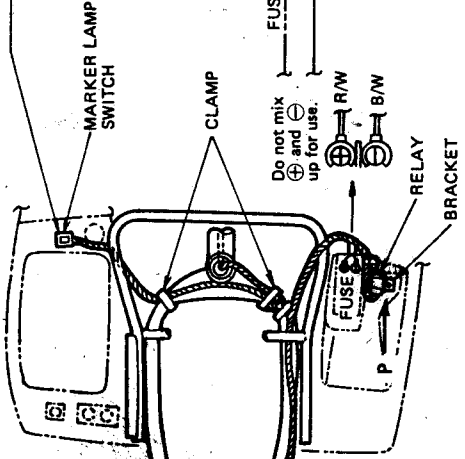
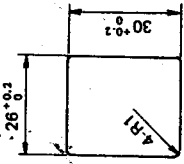
36500-24860

Unit: mm

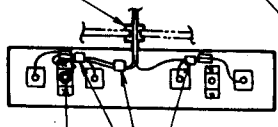
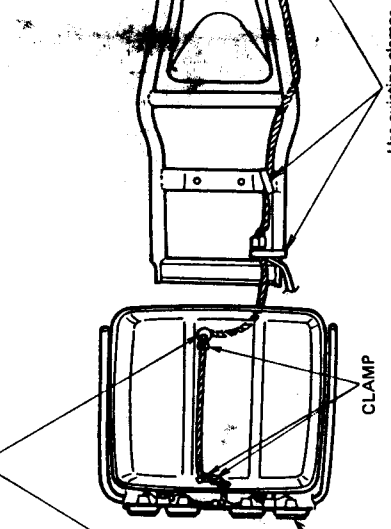
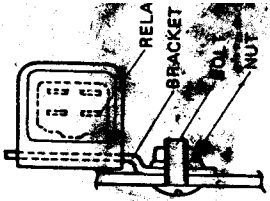


Letter	Qty	Description	Letter	Qty	Description
A	1	Marker Lamp Switch	J	15	Clamp (Clip type)
B	1	Wiring Harness No. 1	K	1	Relay
C	1	Wiring Harness No. 2	L	2	Grommet (For Tail Marker)
D	1	Wiring Harness No. 3	M	2	Grommet (For Travel Trunk Marker)
E	1	Wiring Harness No. 4	N	1	Bracket Marker Lamp Relay
F	1	Wiring Harness No. 5	O	1	Screw, Marker Lamp Relay Bracket)
G	2	Wiring Harness No. 6	P	1	Nut, Marker Lamp Relay Bracket
H	3	180mm Clamp (Band type)			
I	15	110mm Clamp (Band type)			

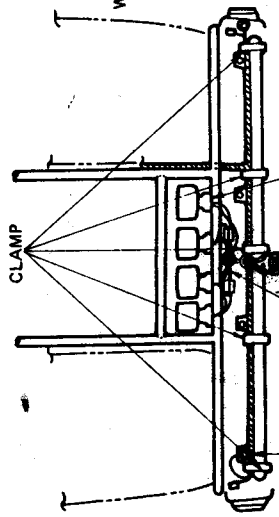
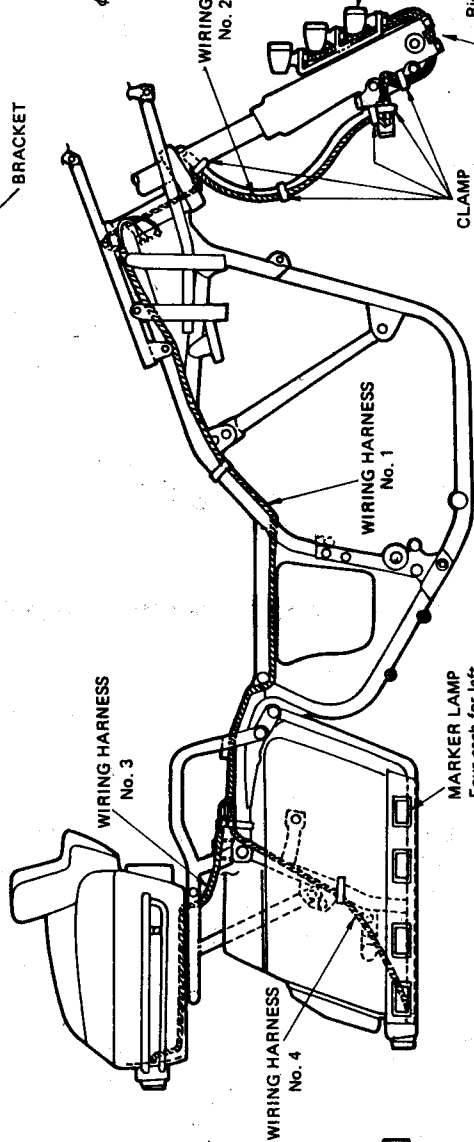
FRONT



Do not mix \oplus and \ominus up for use.



Tighten together with ground wire.



Tighten together with ground wire.

MARKER LAMP
Three each for left and right side.

Right: route on inner side of bolt.
Left: route on inner side of cable guide.

CLAMP
Cut down for proper length after clamping.

MARKER LAMP
Four each for left and right side.



Tighten together with ground wire.
Left and right in common.

