

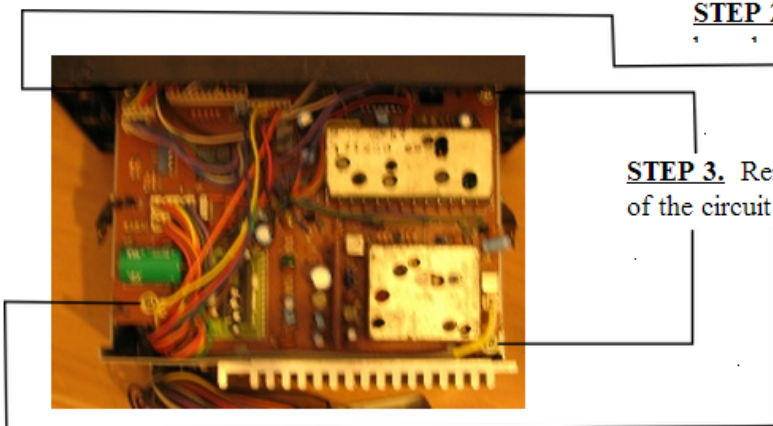


Web Master: D. Hebblethwaite

® © No articles or photos can be copied without prior consent of the Web Master

Changing The Radio Battery

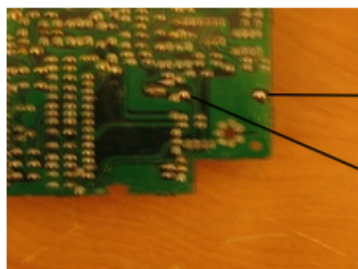
STEP 1. To dismantle the radio, follow the procedure in changing



STEP 2. Unplug all the connectors on the circuit

STEP 3. Remove the four screws at the corners of the circuit board

STEP 4. Remove circuit board. Note where the battery is positioned & turn



STEP 5. De-solder these two joints & remove the battery. If there is difficulty de-soldering the battery legs, apply the soldering iron to the joints and at the same time pull gently on the battery until the leg comes free. Replace the battery with a 1/2 AA 3 Volt Lithium with

STEP 6. Reassembly is the reverse of dismantling the